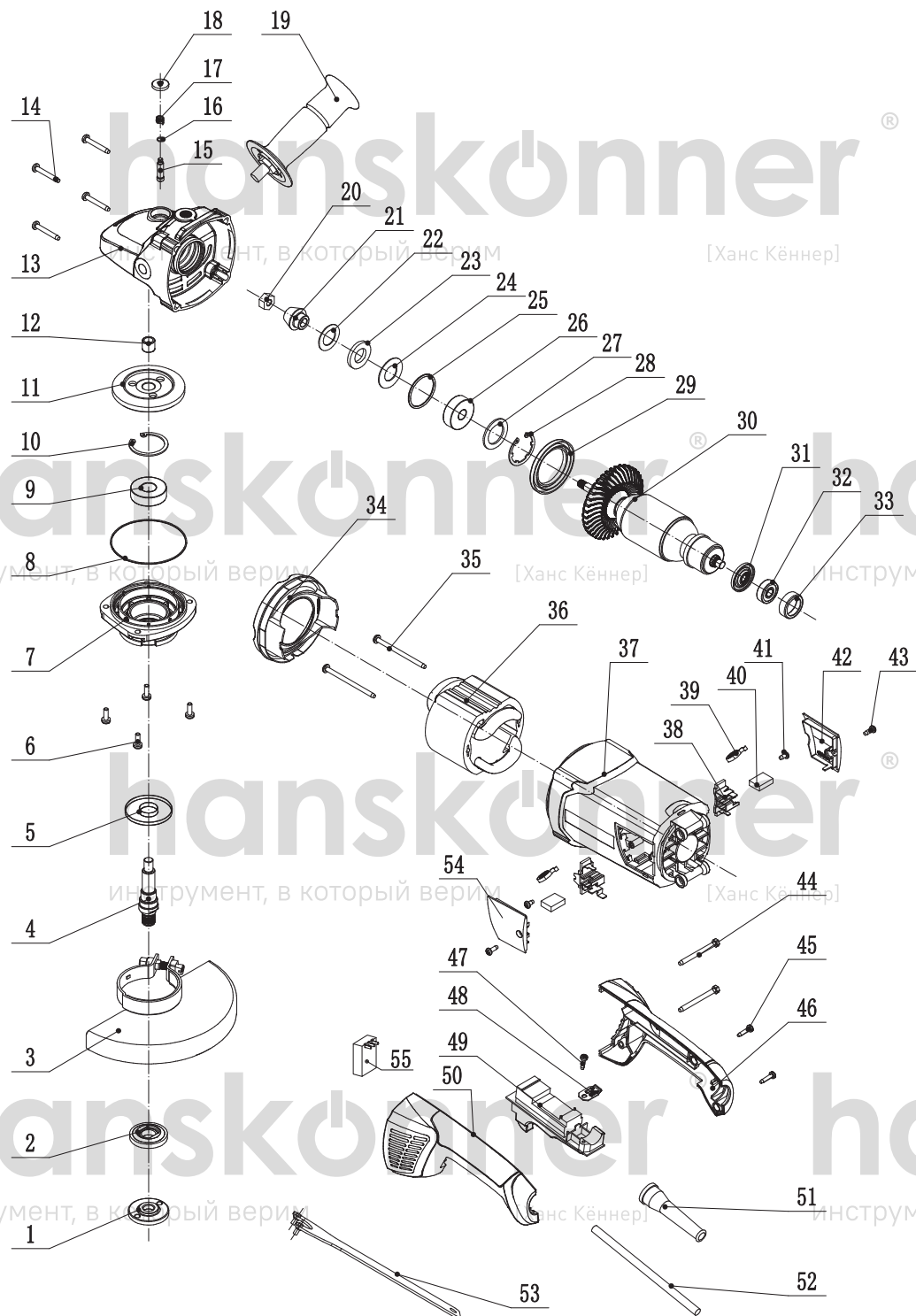


HAG26230EC



NO.	DESCRIPTION	NO.	DESCRIPTION
1	OUTTER FLANGLE	29	IFRONT DUST-PROOF RING
2	INNER FLANGLE	30	AMATURE
3	WHEEL GUARD	31	DUST-PROOF RING
4	SPINDLE	32	BEARING 629
5	DUST-PROOF COVER	33	BEAING SLEEVE
6	SCREW M5X16	34	WINDSHIELD
7	FRONT COVER	35	SCREW ST5X75
8	RING $\Phi 82 \times \Phi 79 \times 1.5$	36	STATOR
9	BEARING 6203	37	HOUSING
10	CIRCLIP FOR HOLE $\Phi 40$	38	BRUSH HOLDER
11	GEAR	39	SPRINGS
12	NEEDLE BEARING HK1012	40	CARBON BRUSHES
13	GEAR BOX	41	SCREW ST4X8
14	SCREW ST5X35	42	RIGHT SIDE COVER
15	SELF LOCKING PIN	43	SCREW ST4X12
16	O RING $\Phi 7 \times 1$	44	SCREW ST5X55
17	SELF LOCKING SPRING	45	SCREW ST4X18
18	SELF LCOKING CAP	46	RIGHT HANDLE
19	SIDE HANDLE	47	SCREW ST4X16
20	SCREW M8	48	PRESSURE PLATE
21	PINOIN	49	SWITCH
22	WASHER $\Phi 31.8 \times \Phi 19 \times 1$	50	LEFT HANDLE
23	WOOL WASHER $\Phi 32.5 \times 17.5 \times 4$	51	CABLE SLEEVE
24	BEARING WASHER $\Phi 36.8 \times \Phi 19 \times 1$	52	CABLE
25	O RING $\Phi 36.5 \times \Phi 2.65$	53	SPANNER
26	BEARING 6301	54	LEFT SIDE COVER
27	WASHER $\Phi 36.9 \times \Phi 24.5 \times 2$	55	SOFT START
28	CIRCLIP FOR HOLE $\Phi 37$		

HAG26230EC-EX-RU250603